

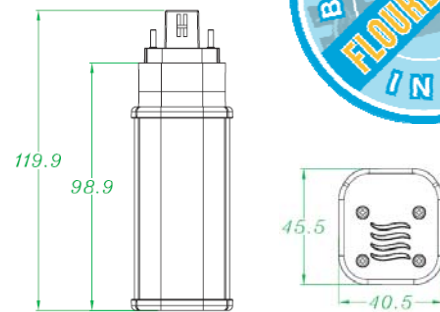
LUMENSOURCE

PL BIP7 SERIES

The high brightness PL7 BIP bulb uses only 7W compared to a 13W traditional fluorescent light source. The 2-pin (GX24d) or 4-pin (GX24q) base fits into G24 size fixture socket. The body can be rotated and installed without removing the original fluorescent ballast. It's integration with the aluminum backed heat sink provides high performance, energy saving, and long lasting light output.

SPECIFICATIONS

Wattage	7W
Voltage	120-277VAC
Average Lifetime	> 30,000 hrs
Colors	Warm White 3000K Cool White 5000K
Luminous Flux	651 lm (W); 672 lm (C)
Beam Angle	270 degrees
Dimensions	1.8" dia / 4.75" length
Direct Fluorescent Ballast Plug-in	Electronics and Inductive (See list of ballast compatibility)



ORDERING

2-pin Series

- PL7-2BIP-X

— C – Cool White
— W – Warm White

4-pin Series

- PL7-4BIP-X

— C – Cool White
— W – Warm White

