

WAFER 3 SERIES

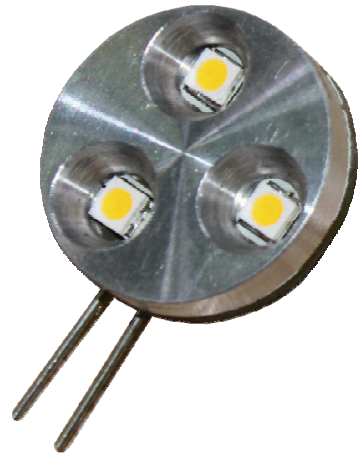
The high brightness Wafer uses only 1W compared to a 20W traditional halogen light source. The bi-pin fits into any G4 size fixture socket providing high performance, energy saving, and long lasting light output. Available in back pin and side pin mount.

SPECIFICATIONS

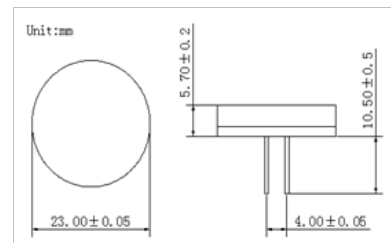
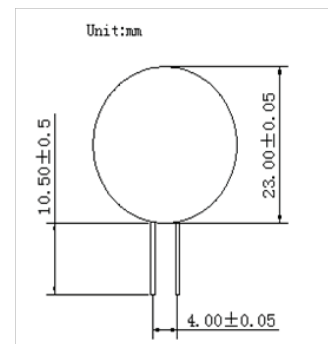
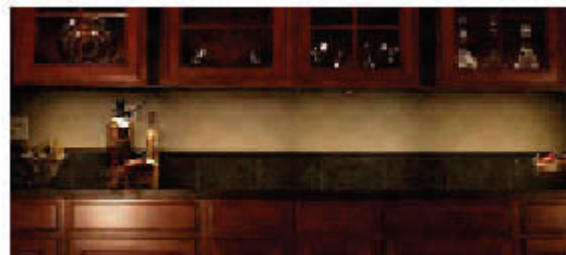
Wattage	1W
Voltage	12V AC/DC
Average Lifetime	> 50,000 hrs
Colors	Warm White (3,000K) Cool White (5,000K)
Luminous Flux	90 lm (W); 100 lm (C)
Beam Angle	90 degrees (with reflector housing)
Dimensions	1" dia / 0.4" length
Dimmability	Magnetic Low Voltage Dimmer
LED	3



Back pin mounting Wafer



Side pin mounting Wafer



ORDERING INFO

- **Side pin**
WF-3S-X
 - C – Cool White
 - W – Warm White
- **Back pin**
WF-3B-X
 - C – Cool White
 - W – Warm White

